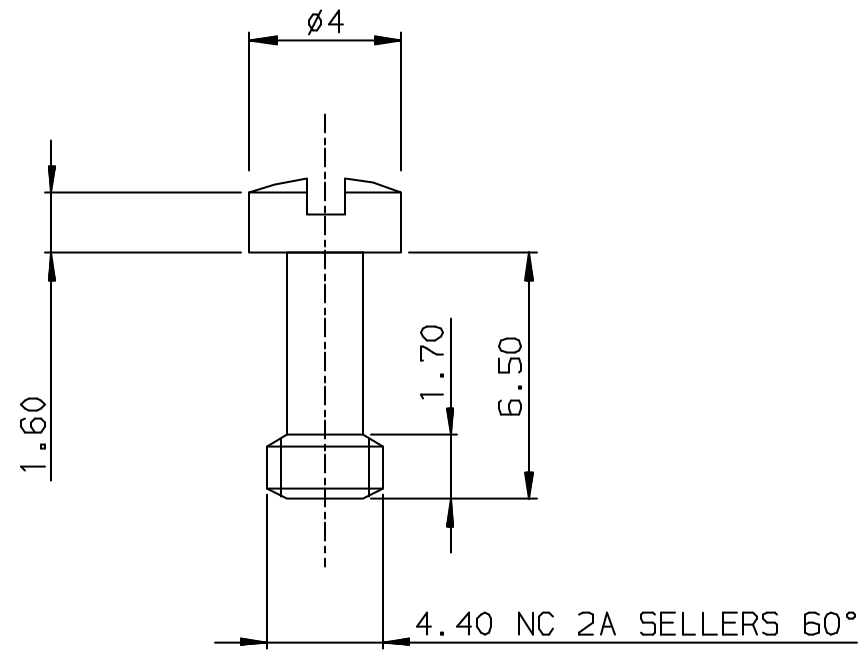


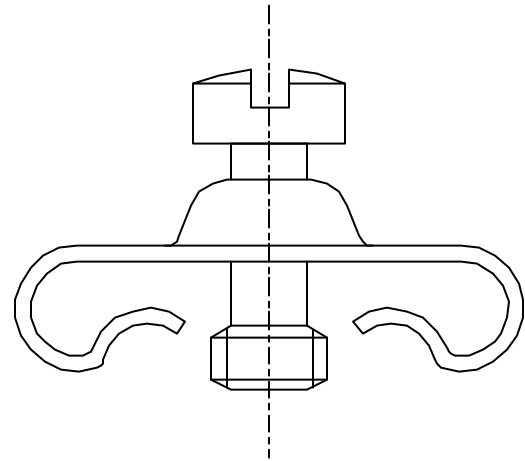
Tous droits strictement réservés. Reproduction ou communication à des tiers interdite sans que la forme que ce soit sans autorisation écrite du propriétaire. Propriété de c FCI. Droits de reproduction FCI.

FCI

All rights strictly reserved. Reproduction or issue to third parties in any form whatever is not permitted without written authority from the proprietor. Property of FCI. Copyright FCI.



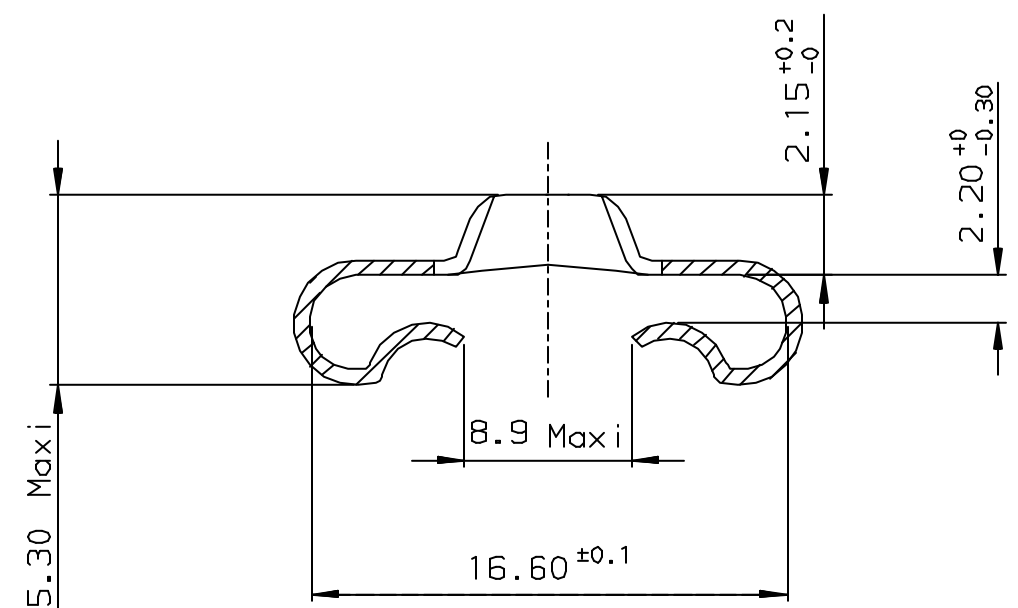
VUE ASSEMBLE



Part number **863002ALF**

NOTE1. RoHS INFORMATIONS

- The "LF" product meets European union Directives and other country regulations as described in GS-22-008.
- The product is not intended to be exposed to a manufacturing solder process.
- Plating: Zinc Cr3+, white color.
- Packaging spec: see GS-14-920.



European view

Ltr	ecn no	dr	date
A	LS05-0123	LGO	12/01/06
-	-	-	-
-	-	-	-
-	-	-	-
-	-	-	-

FCI www.fciconnect.com		ISO 1302	tolerance ISO 406 ISO 1101	projection 	mm
Dr	GOISNARD	12/01/06	Product family	D-SUB 571	size A3
Eng	PESSON	12/01/06	Spec ref	-	Scale 5
Chr	LEGARE	12/01/06	Material	SEE NOTES	ECN LS05-0123
Appr	LEGARE	12/01/06			
title ETRIER DE FIXATION POUR BOITIER ET CAPOT METAL 50pts (P et S)			dwg no C01-8655-1645		Rev. A
catalog no			- CUSTOMER COPY		sheet 1 of 1

NOTES

Pieces assembly
Packaging : per 100 piece
Material : steel
Thread : UNC 4.40